



DAV PUBLIC SCHOOL

CHANDRASEKHARPUR, SAILASHREE VIHAR, BHUBANESWAR

(Affiliated to C.B.S.E., New Delhi, Affiliation No. - 1530044, School No. -08378)

QUOTATION CALL NOTICE

No.DAV(CSP)/ 1813 /2016

Date 30.7.16

DAV Public School, Chandrasekharpur intends to undertake covering of the Courtyard of the school at Campus-I with Truss and colour coated galvanized currogate sheets. Seven drawings of the SHED showing dimensions and detailed specifications of the works are attached to this notice for reference of the Bidders. Interested contractors/parties having expertise in the above works are requested to submit their **quotations in the prescribed proforma along with details of works undertaken during the last 5 years on or before 13.08.2016 by 1.00 P.M. in closed envelop** The bidders are also required to enclose a D.D. for Rs.1000/- drawn in favour of the Principal, DAV Public School, Chandrasekharpur, Bhubaneswar along with the tender towards the earnest money. The bidders are also required to submit photocopy of the PAN card along with the quotation. The quoted rate should be inclusive of all taxes.

The envelope containing the quotation must be closed and marked "Quotation for covering the Courtyard of D.A.V. Public School, Chandrasekharpur" on the top of the envelop. The quotations received after the stipulated date or time shall not be considered.

The quotations will be opened on 13.08.2016 at 4.00 P.M. The bidders may remain present physically or by authorized representative during opening of the quotations.

The undersigned reserves the right to cancel either any or all the quotations without assigning any reason therefor.

U. Babal
PRINCIPAL
30/7/16

Copy to:

1. Website of DAV Public School, Chandrasekharpur.
2. Notice Board of DAV Public School, Chandrasekharpur/Unit-VIII/Pokhariput/Kalinganagar, Bhubaneswar CDA/Gandarpur/Rajabagicha, Cuttack for information of all concerned.

MANAGED BY - DAV COLLEGE MANAGING COMMITTEE, CHITRA GUPTA ROAD, DELHI

At - Chandrasekharpur, Sailashree Vihar, Bhubaneswar - 751021 (Odisha)

Phone No. : 0674-2740651, 2740551, Fax : 0674-2744688, Email : davcspur@gmail.com, Website : www.davcsp.org

D.A.V. PUBLIC SCHOOL, CHANDRASEKHARPUR, BHUBANESWAR-21

**QUOTATION FOR COVERING OF COURTYARD WITH TRUSS AND
COLOUR COATED GALVANISED CURROGATE SHEETS.**

Name of the Contractor:

Complete Address:

Valid Contractor License No.:
(Please enclose copy of license)

TAN/PAN:

Past Experience, if any:
(Please enclose copy of certificate in respect of works completed during last five years)

Item	Description of Works	Quantity	Unit	Rate per unit.	Total Amount
1.	Supply, Fabrication, erection of all materials required for the proposed SHED conforming to the following specifications and drawings.	25725 sft.	Sft.	Rs.	Rs..... inclusive of all taxes.
Total amount in words: Rupees.....					
..... inclusive of all taxes.					

- ❖ **SPECIFICATIONS**
1. Earth in excavation = 137 Cum
 2. Sand filling = 9 Cum
 3. P.C.C. (1:4:8) = 9 Cum
 4. Backfilling with excavation earth = 128 Cum
 5. R.C.C.(1:1½:3) = 61 Cum
 6. Structural Steel work = 64 Mt.
 7. Sand with panel sheeting = 24619 Sqft.
 8. Plain sheeting = 5188 Sqft.
 9. Polycarbonate sheeting = 2500 Sqft.
 10. Rain Water pipe 110mmØ = 320 Rft.
 11. Gutter UPVC or Galvalume = 590 Rft.

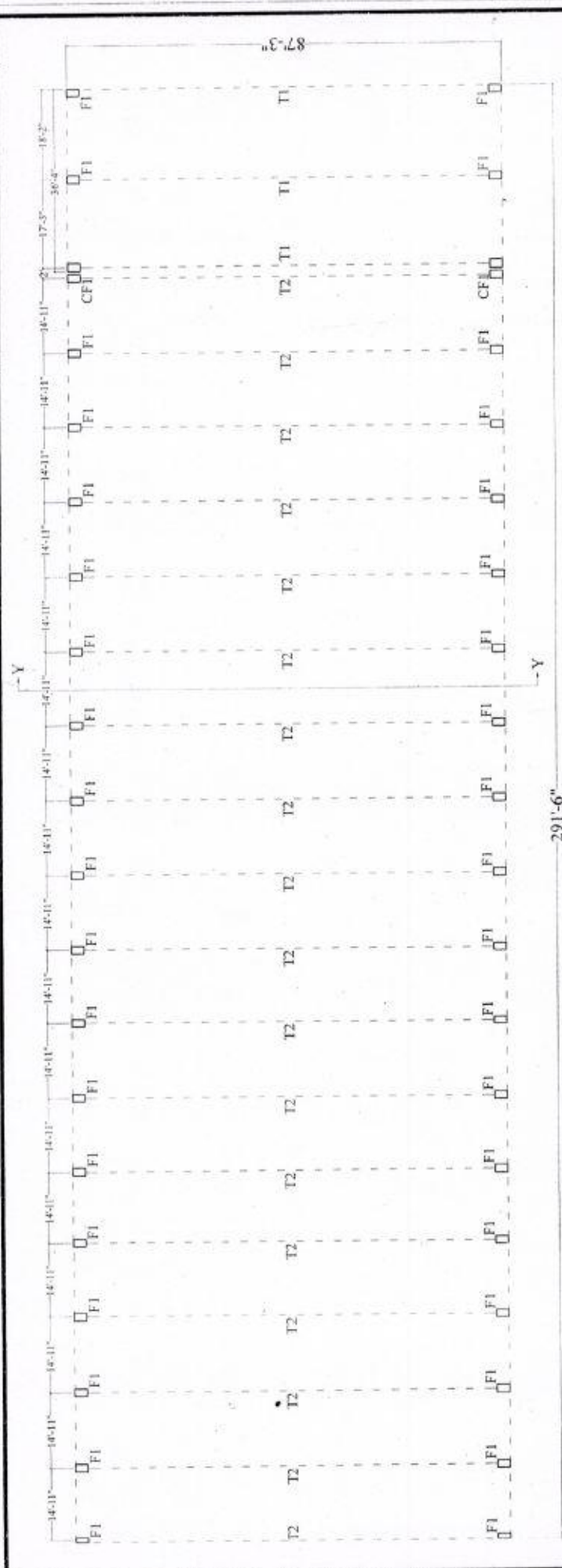
Note

- ❖ All colour coated sheet shall be of 550 MPA grade
- ❖ All structural steel shall be painted with 2 or more coats of epoxy paint of approved colour over a coat epoxy primer.
- ❖ Base plate bottom shall be grouted with non-shrink cementitious grout of a reputed manufacture.
- ❖ Bolt shall be HTFG type,
- ❖ All tubular steel shall be TATA make, YST 310 grade.
- ❖ Other sections shall be of TATA/SAIL/JINDAL make.

Date:

Full signature of the party/contractor

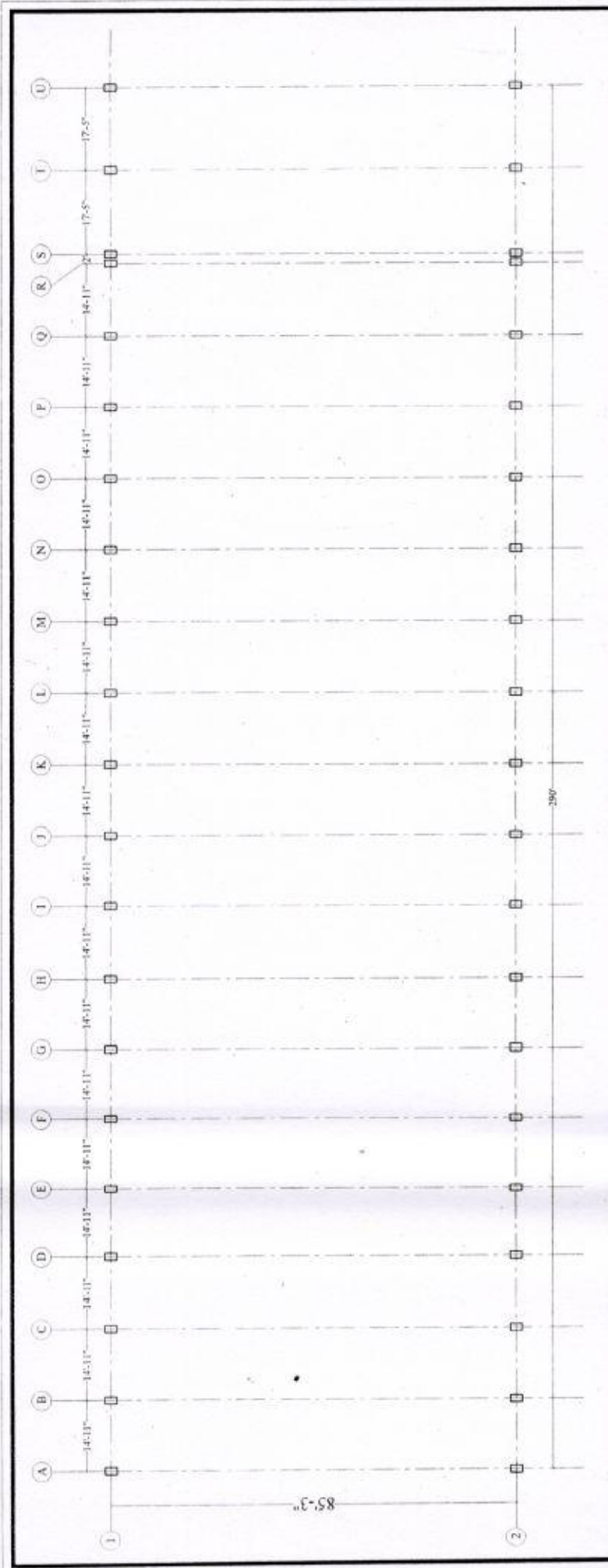
1



<p>PROJECT :- PROPOSED SHED FOR D.A.V. SCHOOL, C.S.PUR</p>	<p>DWG TITLE:- PLAN OF SHED</p>	<p>SHEET 1</p>	<p>NOTE:- * Written dimensions are to be followed.</p>	<p>DATE:- 23/09/2016</p> <p>STRUCTURAL ENGINEER N.K. PARIDA</p> <p>SIGNATURE</p>
---	--	---------------------------	---	---



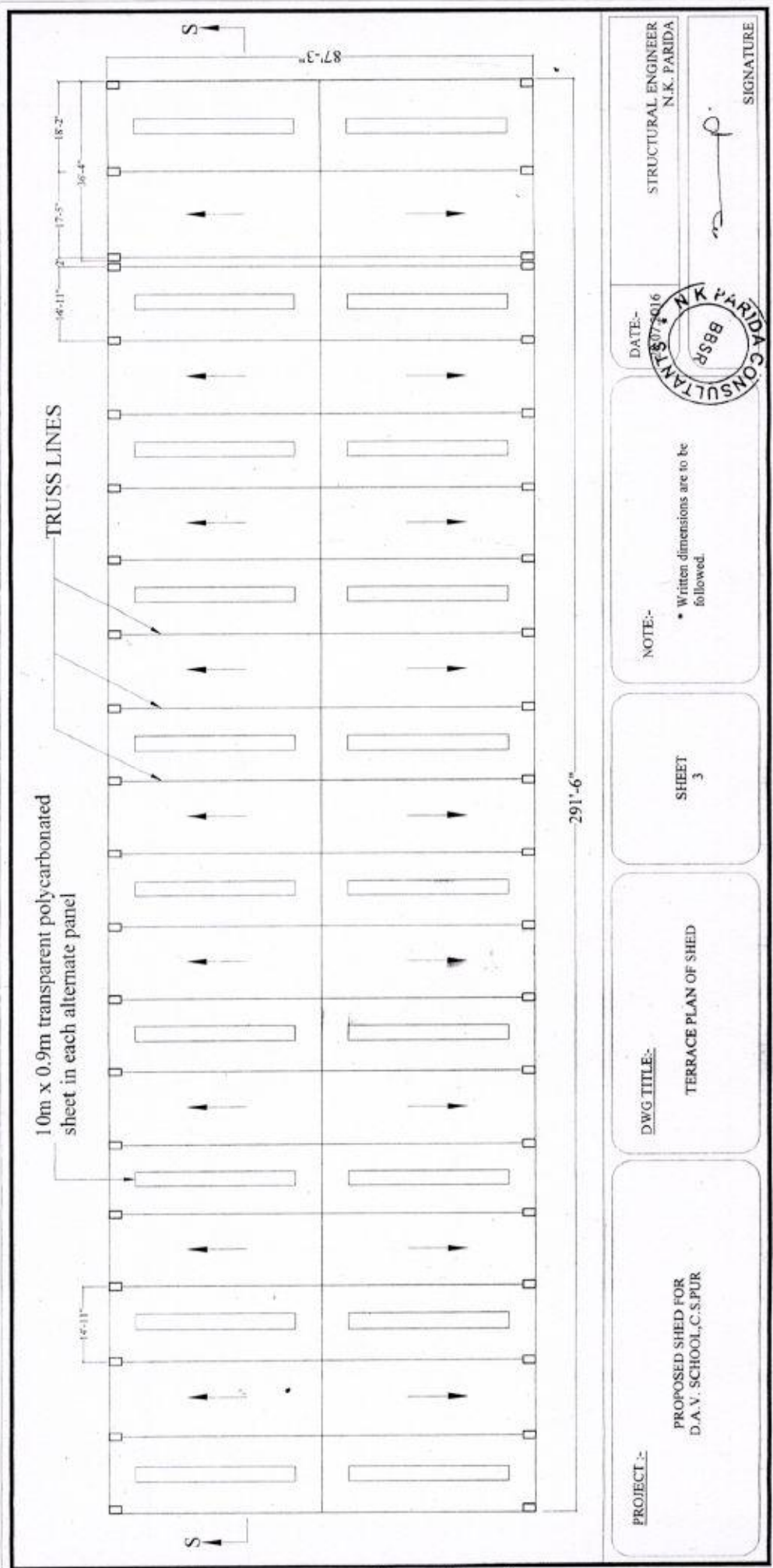
2



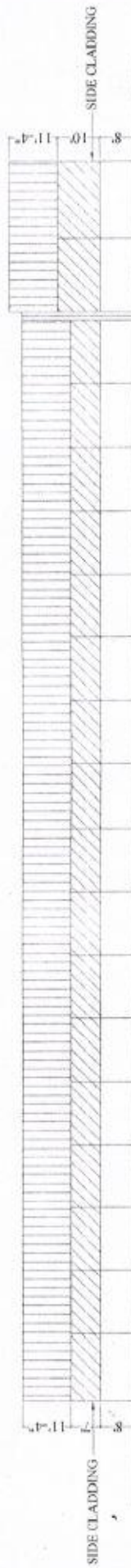
<p>PROJECT :- PROPOSED SHED FOR D.A.V. SCHOOL.C.S.PUR</p>	<p>DWG TITLE:- LAU-OUT OF COLUMN CENTERLINE</p>	<p>SHEET 2</p>	<p>NOTE:- * Written dimensions are to be followed.</p>	<p>DATE:- 28.07.2016</p> <p>STRUCTURAL ENGINEER N.K. PARIDA</p> <p>SIGNATURE f</p>
--	--	---------------------------	---	---



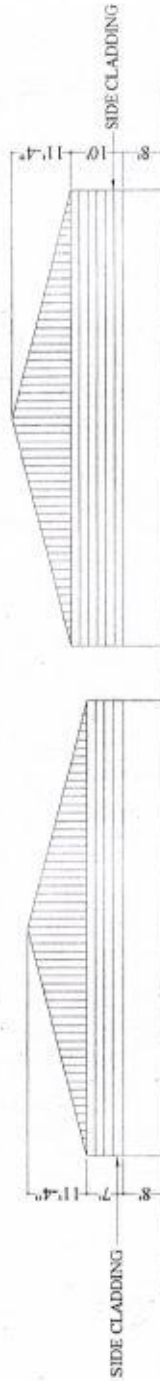
3



4



SIDE ELEVATION



END ELEVATION

PROJECT:-

PROPOSED SHED FOR
D.A.V. SCHOOL, C.S.PUR

DWG TITLE:-

SIDE & END ELEVATION OF SHED

SHEET
4

NOTE:-

* Written dimensions are to be followed

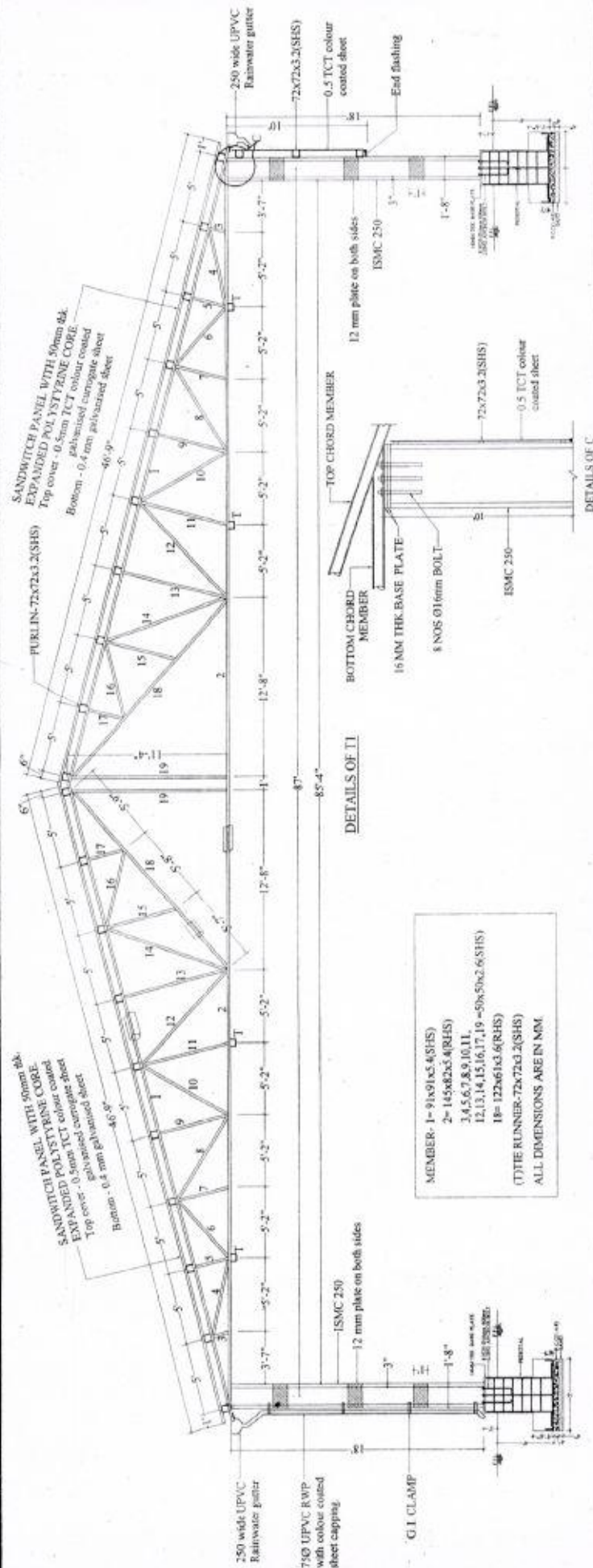
DATE:-
28.07.2016

STRUCTURAL ENGINEER
N.K. PARIDA



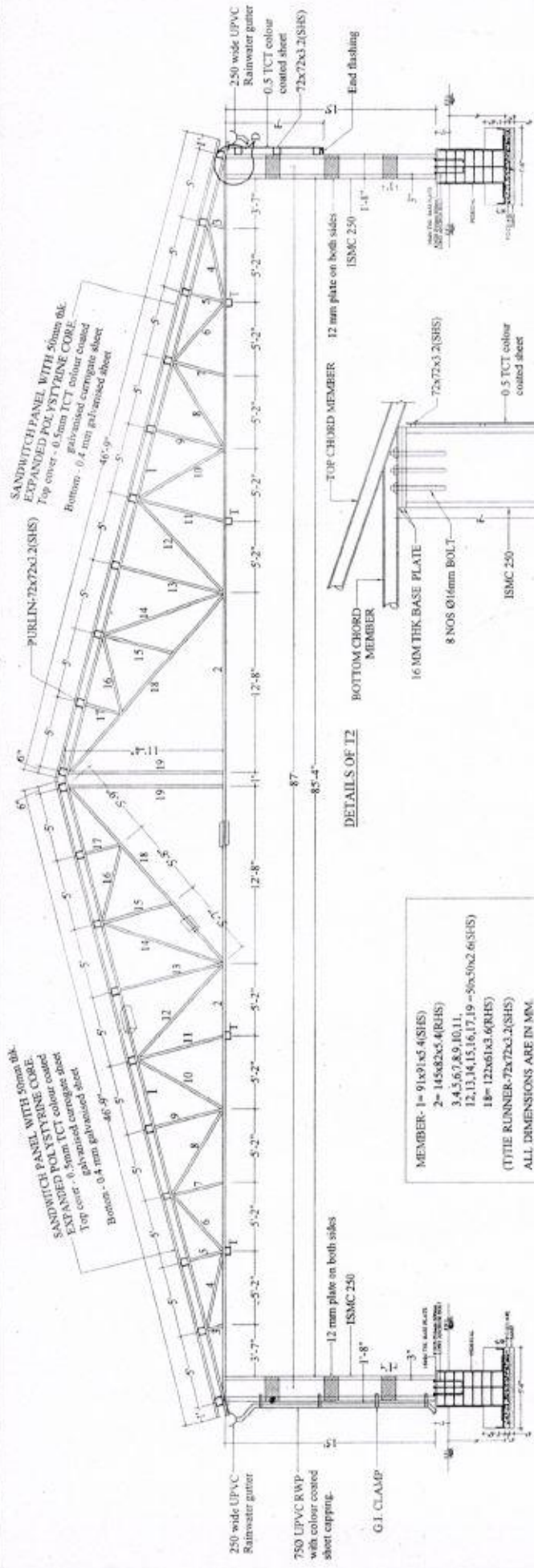
SIGNATURE

5



<p>PROJECT:- PROPOSED SHED FOR D.A.V. SCHOOL, C.S.PUR</p>	<p>DWG TITLE:- (T1) TRUSS DETAILS</p>	<p>SHEET 5</p>	<p>NOTE:-</p> <ul style="list-style-type: none"> • Written dimensions are to be followed. • Grade of steel YST-310
<p>DATE:- 28.07.2016</p>			
<p>STRUCTURAL ENGINEER N.K. PARIDA</p>	<p style="text-align: center;">SIGNATURE</p> <p style="text-align: center;">_____</p>		<p style="text-align: center;">_____</p>

6



SANDWICH PANEL WITH 50mm BK.
EXPANDED POLYSTYRENE CORE
Top cover - 0.5mm TCT colour coated
galvanised corrugate sheet
Bottom - 0.4 mm galvanised sheet

SANDWICH PANEL WITH 50mm bk.
EXPANDED POLYSTYRENE CORE
Top cover - 0.5mm TCT colour coated
galvanised corrugate sheet
Bottom - 0.4 mm galvanised sheet

MEMBER- 1= 91x91x5.4(SHS)
2= 145x82x5.4(RHS)
3,4,5,6,7,8,9,10,11,
12,13,14,15,16,17,19 = 50x50x2.6(S/S)
18= 122x61x3.6(RHS)
(TITLE RUNNER- 72x72x3.2(SHS))
ALL DIMENSIONS ARE IN MM.

STRUCTURAL ENGINEER
N.K. PARIDA

DATE:-
28.07.2016



SIGNATURE

NOTE:-

- Written dimensions are to be followed.
- Grade of steel YST-310.

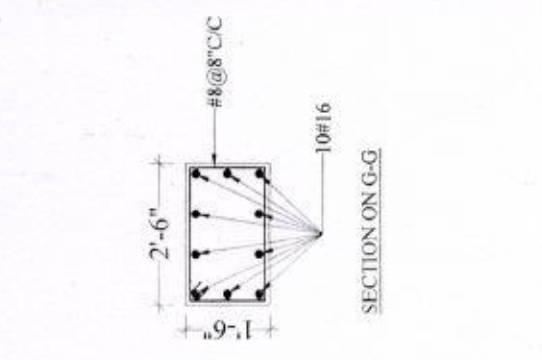
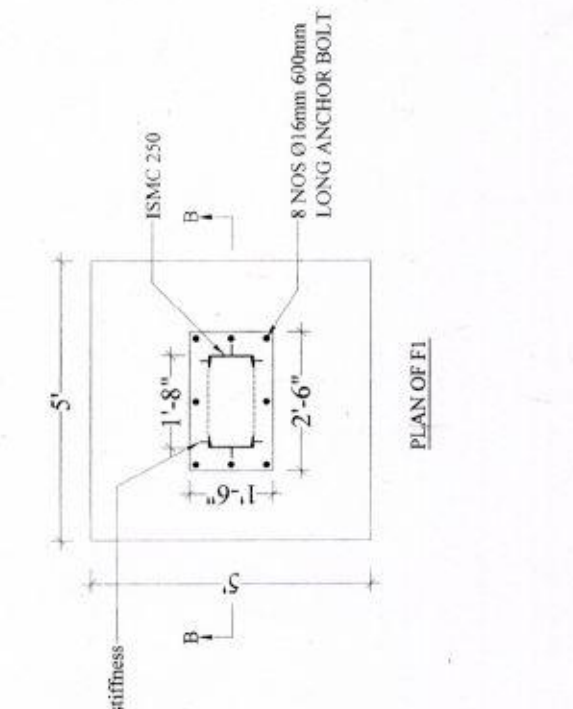
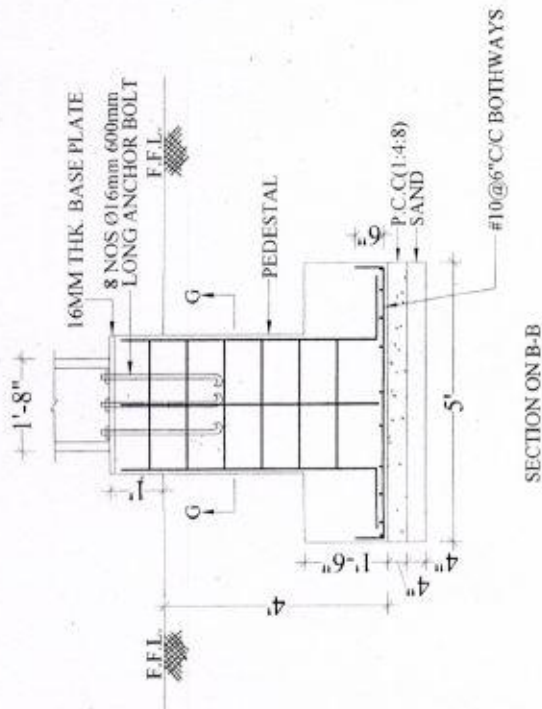
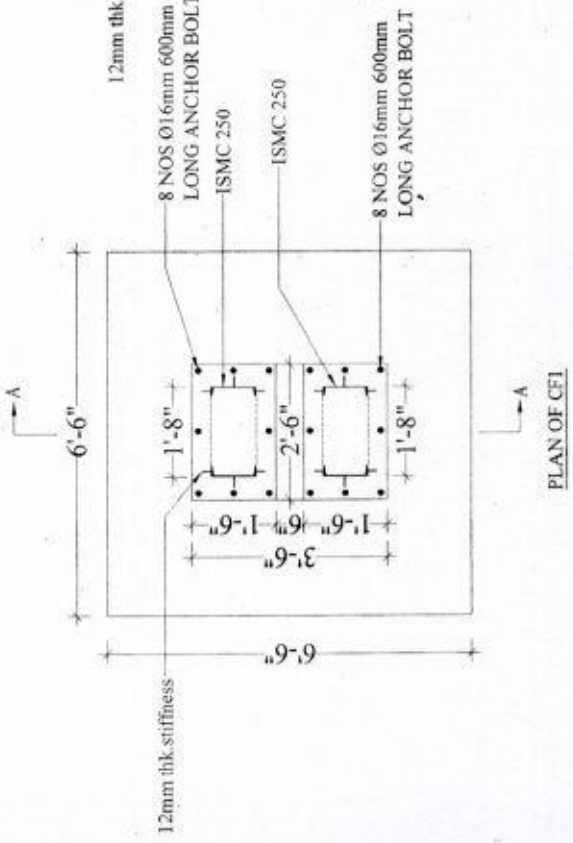
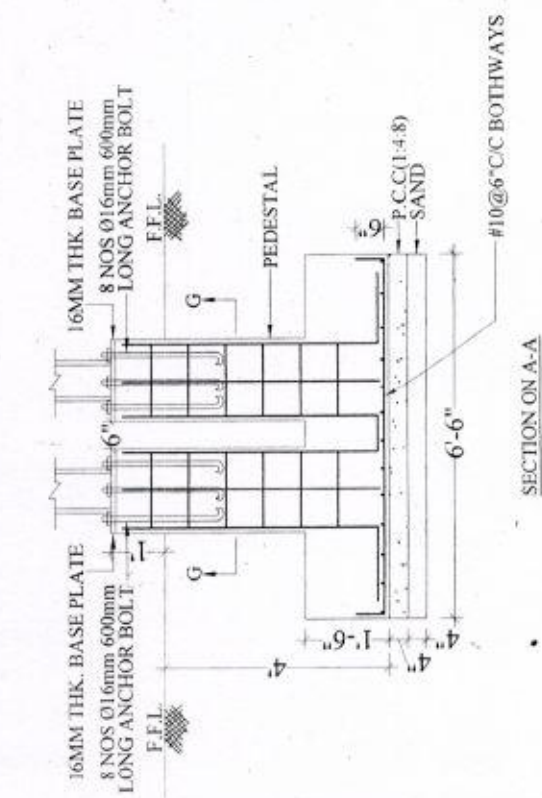
DWG TITLE:-

(T2) TRUSS DETAILS

PROJECT:-

PROPOSED SHED FOR
D.A.V. SCHOOL, C.S.PUR

SHEET
6



PROJECT: PROPOSED SHED FOR D.A.V. SCHOOL, C.S.PUR

DWG TITLE: FOOTING DETAILS OF SHED

SHEET 7

DATE: 28.07.2016

STRUCTURAL ENGINEER N.K. PARIDA

SIGNATURE: [Signature]

NOTE:-

- *WRITTEN DIMENSIONS ARE TO BE FOLLOWED IN MM.
- *GRADE OF CONCRETE M20
- *GRADE OF STEEL Fe415.
- *CLEAR COVER TO REINFORCEMENT IN FOOTING - 50mm, COLUMN - 40mm.
- *LAP LENGTH 50MM DIA
- *GRADE OF STRUCTURAL STEEL YST-310.

